



User Manual

GemView 16 Tablet Display (TD-LBK156)

Contents

What's Included	2
Product Overview	2
Front and Side View.....	2
Rear View.....	3
Installation	3
Connection.....	3
Software Installation	4
Configuration	5
Mounting Information	7
Troubleshooting	7
Replacing the Pen Tip.....	7
Product Specifications	8
Screen.....	8
Interactive Electromagnetic Pen.....	9



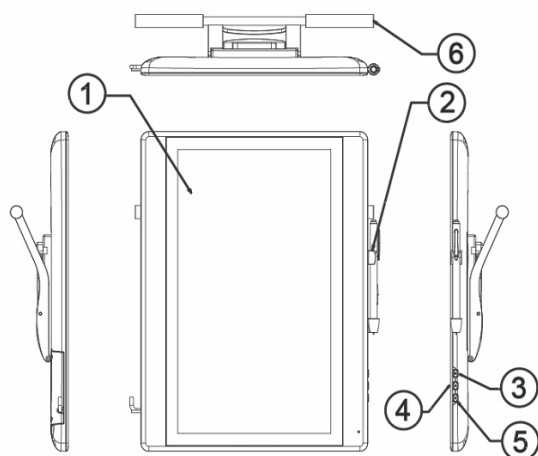
What's Included

The following items are included with your GemView 16 Tablet Display:

- GemView Tablet Display
- Kickstand
- Power adapter
- USB 2.0 Y cable
- Electromagnetic pen
- Pen tether
- 3 pen tips
- Pen tip replacement tool
- Installation instructions

Product Overview

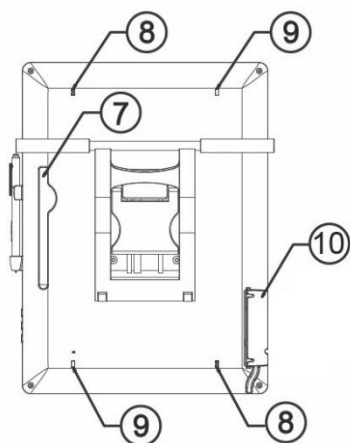
Front and Side View



1. Display & electromagnetic pen touch area
2. Pen holder
3. Power button
4. Brightness adjustment increase button
5. Brightness adjustment decrease button
6. Ergonomic support & multi-angle kickstand



Rear View



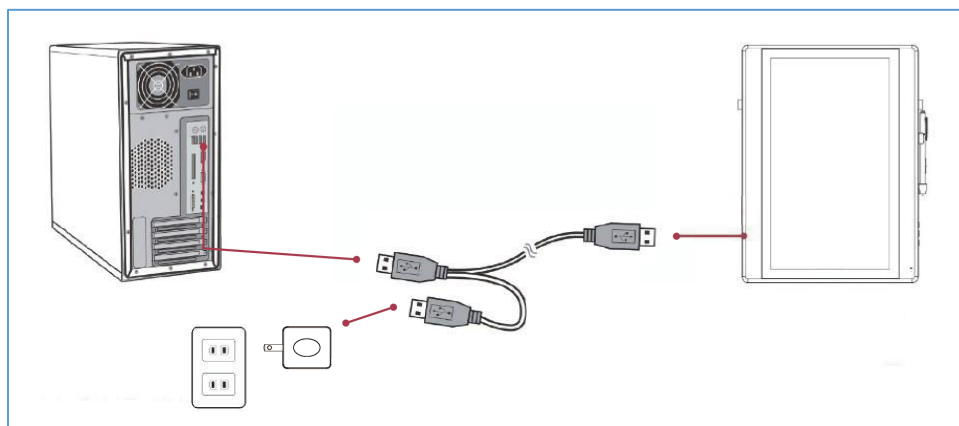
- 7. Pen slot
- 8. Tether hole
- 9. Lock hole (x2)
- 10. USB connector

Note: Please don't open the enclosure.

Installation

Connection

Connect the tablet display, as shown below. Then, push the power button to turn on the tablet display.



Note: Connect both USB connectors at one end of the cable to the PC, to ensure a stable power supply. Due to the manner that Windows enumerates USB devices and the use of internal USB hubs in some PCs, it may be necessary to change the ports into which the USB connectors are inserted.



If your pen is not already connected to the tablet display, loop one end of the pen tether through the eye at the end of the pen. Then, loop the other end of the pen tether through the tether hole on either side of the device.

Software Installation

Install DisplayLink Driver

Download and run the DisplayLink installer for use on Windows clients from the Topaz website: www.topazsystems.com/software.html?tab=gemview-software-tab. For silent installation, use the command -silent.

For more information, view: <https://support.displaylink.com/knowledgebase/articles/544789-installation-switches-for-installing-displaylink-s>.

Install GemView Tablet Display Driver

Note: If you are using your computer in a Citrix/VMWare Horizon environment, please see the Remote GemView Set-Up Guides at: www.topazsystems.com/guides.html?tab=remote-use-guides.

1. Download and run the GemView installer from the Topaz website: www.topazsystems.com/software/download/gemview.exe.
2. You must reboot your PC after the installation completes. This software provides pen input functionality for the tablet display.
3. For silent installation, see the commands below:

Silent install: Gemview.exe /s -sps

Silent uninstall: Run as administrator \Windows\rmttablet.exe KNLH

Install Bundled Topaz Software

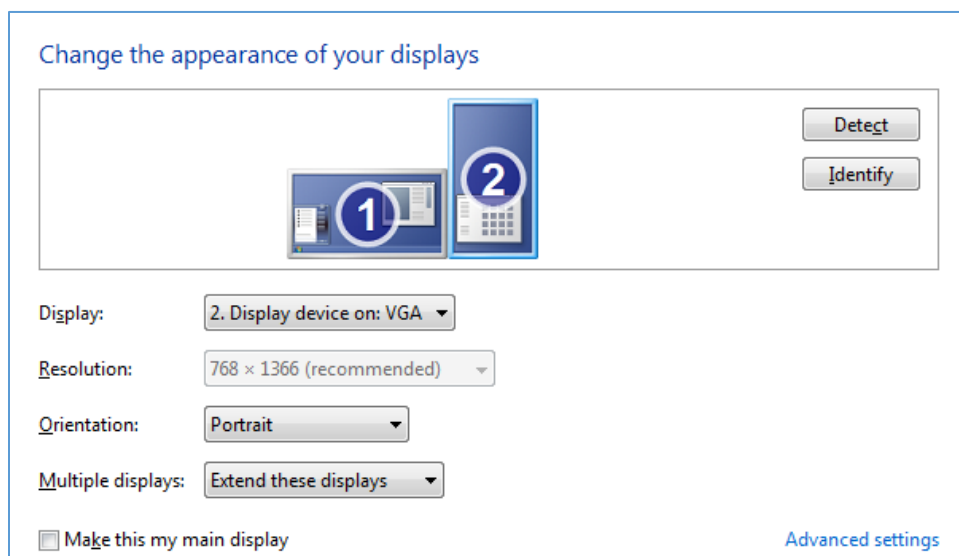
Topaz Systems provides software designed specifically to take advantage of the GemView Tablet Displays' large format, pen input capabilities. For detailed information on software packages and drivers, visit www.topazsystems.com/gemview-software.html.



Configuration

Configure Tablet Display for Installation

Use the Display program in the control panel to configure the tablet display for your installation.



You may specify the following characteristics:

1. **Resolution:** Use the recommended resolution
2. **Orientation:** Landscape or portrait
3. **Multiple displays:** Extend these displays
4. **Alignment:** Make sure that the bottoms of the monitors are aligned as shown below, and that the tablet display (Display 2) is on the side of the main display you want to use when moving windows from the main display (Display 1).

After configuring the tablet display, you may test it as follows:

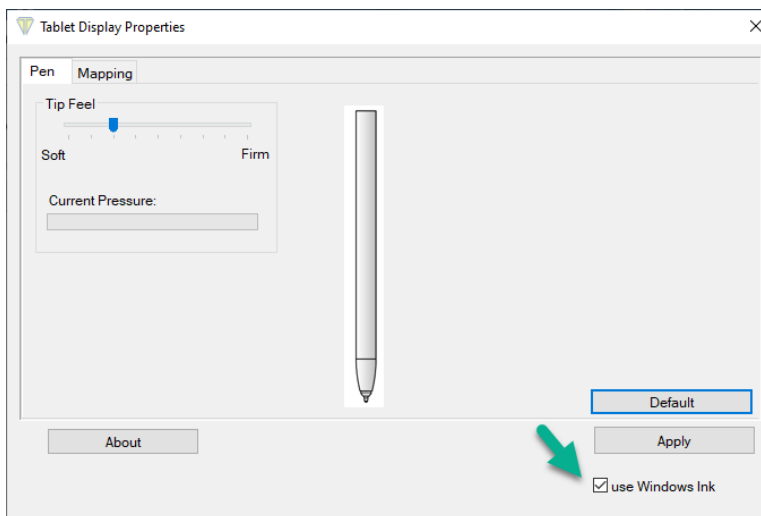
1. Click the identify button; the number 1 should appear on the main display and the number 2 should appear on the tablet display.
2. Move your mouse from the main display to the tablet display; it should track properly.
3. Move a window from the main display to the tablet display; it should appear normally and respond to mouse interactions.



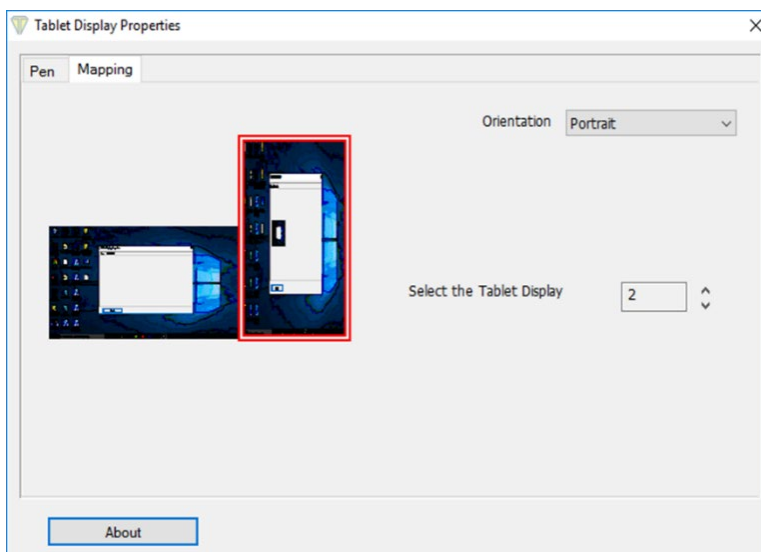
Configure Tablet Display for Pen Input

1. In "All Apps/All Programs" → "GemView Tablet Display Manager", click "Tablet Display Manager".
2. With the "Pen" tab selected, write on the GemView Tablet Display with the pen and the current pressure will show as a green bar. Adjust the tip feel slider between soft and firm to select the pressure desired. The default setting is recommended for standard use.

Note: The box marked " Use Windows Ink" is checked by default. Some legacy programs or older OS may expect mouse data instead. If so, please uncheck "Use Windows Ink".



3. Under the "Mapping" tab, select the number of the tablet display from the drop-down list. The numbering of the monitors follows that in the Windows display settings. Select "Landscape" or "Portrait" for the orientation of the tablet display. It should be the same orientation selected in the Windows display screen.





Mounting Information

The GemView 16 can be mounted on counters, desks, walls, and many other surfaces through its Kensington security slot holes or standard VESA mounts.

The GemView 16 kickstand may be removed and installed in either a portrait or landscape position.

Troubleshooting

<i>Problems</i>	<i>Recommended Actions</i>
No picture	<ol style="list-style-type: none">1. Check whether all cables are connected properly.2. Try to use another USB interface of the computer.3. Confirm whether the computer is under sleep mode. Press the keyboard or move the mouse, and reboot the system.4. Try to adjust the brightness.5. Confirm whether both the computer and the screen are starting up.6. With a laptop, please confirm whether the outer-link (RGB) output is selected.7. Check whether the GemView drivers are installed.

Replacing the Pen Tip

If the pen tip is too short or sharp, it can be replaced. Remove the pen tip from electromagnetic pen using the included tool. Then, insert the new pen tip into the handwriting pen and push until the pen tip does not move.



Product Specifications

Screen

<i>Display</i>	
Model	15.6-inch TFT LCD, LED backlight
Screen Type	8H tempered glass; Anti-scratch, anti-glare, and anti-fingerprint coating
Resolution	1920 x 1080 (RevD+), 1366 x 768 (RevC-)
Brightness	220 cd/m ² (typical) / 200 cd/m ² (min.)
Angle of Visibility (degrees)	H/V 178/178 (RevD+) 90/130 (Rev C-)
Response Time	Tr+Tf: 25ms (typical) / 50ms (max.)

<i>Connector</i>	
USB	USB x1

<i>Body</i>	
Equipment Dimension	390mm x 290mm x 23mm
Equipment Weight	Net weight (no support): 1.9 kg Gross weight (with support): 3.1 kg

<i>Environment</i>	
Temperature Range	Operation: 0°C ~ +40°C Storage: -20°C ~ +65°C
Relative Humidity	Operation: 20% ~ 80% Storage: 10% ~ 90%



<i>Power Supply</i>	
Input	AC 100-240V, 50/60HZ
Output	DC 12V/2A
Power Consumption	Start-up 6.5W, sleep < 1.0W

Interactive Electromagnetic Pen

<i>Model</i>	
Technique	Electromagnetic, pressure sensing, wireless
Action Area	Full screen
Inclination of Detectable Pen	Inclination range: $\pm 45^\circ$
Pen Tip	Replaceable

<i>Technical Specifications</i>	
Resolution	5080 LPI (lines per inch)
Tracking Velocity	250 PPS (dots per second)
Pressure Sensing	2048 Levels
Accuracy Rating	$\pm 0.5\text{mm}$ (center), $\pm 2\text{mm}$ (edges and corners)
Readable Height	5mm