



# User Manual

## GemView® 10 Tablet Display TD-LBK101VA-USB-R



Copyright © 2019 Topaz Systems Inc. All rights reserved.

For Topaz Systems, Inc. trademarks and patents, visit [www.topazsystems.com/legal](http://www.topazsystems.com/legal).

## Table of Contents

<b>Compliant &amp; Copyright Information .....</b>	<b>3</b>
<b>Introduction.....</b>	<b>6</b>
Packing List.....	6
Product Overview .....	7
<i>Front and Side View .....</i>	<i>7</i>
<i>Rear View.....</i>	<i>8</i>
<i>Interactive Electromagnetic Pen .....</i>	<i>8</i>
<b>Installation.....</b>	<b>9</b>
Connect Tablet Display to PC .....	9
Connect Pen to Tablet Display .....	10
Install DisplayLink Driver .....	10
Configure Tablet Display for Installation .....	10
Install GemView Tablet Display Driver .....	12
Configure Tablet Display for Pen Input.....	12
Install Bundled Topaz Software.....	15
Mounting Information.....	15
<b>Troubleshooting .....</b>	<b>16</b>
Screen Problems.....	16
Problems of Interactive Electromagnetic Pen.....	16
<b>Product Specification.....</b>	<b>17</b>
Screen .....	17
Interactive Electromagnetic Pen.....	18
<b>Appendix .....</b>	<b>19</b>
Replace the Pen Tip.....	19

## Compliant Information

This device complies with part 15 of FCC Rules. Operation is subject to the following two conditions: (1) this device may not cause harmful interference, and (2) this device must accept any interference received, including interference that may cause undesired operation.

This equipment has been tested and found to comply with the limits for a Class B digital device, pursuant to part 15 of the FCC Rules. These limits are designed to provide reasonable protection against harmful interference in a residential installation. This equipment generates, uses, and can radiate radio frequency energy, and if not installed and used in accordance with the instructions, may cause harmful interference to radio communications. However, there is no guarantee that interference will not occur in a particular installation. If this equipment does cause harmful interference to radio or television reception, which can be determined by turning the equipment off and on, the user is encouraged to try to correct the interference by one or more of the following measures:

- Reorient or relocate the receiving antenna.
- Increase the separation between the equipment and receiver.
- Connect the equipment into an outlet on a circuit different from that to which the receiver is connected.
- Consult the dealer or an experienced radio/TV technician for help.

Warning: You are cautioned that changes or modifications not expressly approved by the party responsible for compliance could void your authority to operate the equipment.

### CE Conformity for European Countries

The device complies with the EMC Directive 2004/108/EC and Low Voltage Directive 2006/95/EC.

### Following information is only for EU-member states:

The mark shown to the right is in compliance with the Waste Electrical and Electronic Equipment Directive 2012/19/EU (WEEE). The mark indicates the requirement NOT to dispose the equipment as unsorted municipal waste, but use the return and collection systems according to local law.



If the batteries, accumulators and button cells included with this equipment, display the chemical symbol Hg, Cd, or Pb, then it means that the battery has a heavy metal content of more than 0.0005% Mercury or more than, 0.002% Cadmium, or more than 0.004% Lead.



## Important Safety Instructions

1. DO NOT place objects on top of the device, as objects may scratch the screen.
2. DO NOT expose the device to dirty or dusty environments.
3. DO NOT place the device on an uneven or unstable surface.
4. DO NOT insert any foreign objects into the device.
5. DO NOT expose the device to strong magnetic or electrical field.
6. DO NOT expose the device to direct sunlight as it can damage the LCD Screen. Keep it away from heat sources.
7. DO NOT use the device in the rain.
8. Please check with your Local Authority or retailer for proper disposal of electronic products.
9. The device may produce some heat during normal operation or charging. To prevent discomfort or injury from heat exposure, DO NOT leave the device on your lap.
10. POWER INPUT RATING: Refer to the rating label on the device. Only use accessories specified by the manufacturer.
11. DO NOT use any sharp object to tap the screen.
12. Clean the touch screen with a soft cloth. If needed, dampen the cloth slightly before cleaning. Never use abrasives or cleaning solutions.
13. Disconnect the device from an electrical outlet and power off before cleaning the device.
14. DO NOT disassemble the device. Only a certified service technician should perform repair.
15. Users have to use the connection to USB interfaces with USB 2.0 version or higher

## Declaration of RoHS2 Compliance

This product has been designed and manufactured in compliance with Directive 2011/65/EU of the European Parliament and the Council on restriction of the use of certain hazardous substances in electrical and electronic equipment (RoHS2 Directive) and is deemed to comply with the maximum concentration values issued by the European Technical Adaptation Committee (TAC) as shown below:

Substance	Proposed Concentration	Maximum Concentration	Actual Concentration
Lead (Pb)	0.1%		< 0.1%
Mercury (Hg)	0.1%		< 0.1%
Cadmium (Cd)	0.01%		< 0.01%
Hexavalent Chromium (Cr <sup>6+</sup> )	0.1%		< 0.1%
Polybrominated biphenyls (PBB)	0.1%		< 0.1%
Polybrominated diphenyl ethers (PBDE)	0.1%		< 0.1%

Certain components of products as stated above are exempted under the Annex III of the RoHS2 Directives as noted below: Examples of exempted components are:

1. Mercury in cold cathode fluorescent lamps and external electrode fluorescent lamps (CCFL and EEFL) for special purposes not exceeding (per lamp):
  - (1) Short length ( $\leq 500$  mm): maximum 3.5 mg per lamp.
  - (2) Medium length ( $> 500$  mm and  $\leq 1,500$  mm): maximum 5 mg per lamp.
  - (3) Long length ( $> 1,500$  mm): maximum 13 mg per lamp.
2. Lead in glass of cathode ray tubes.
3. Lead in glass of fluorescent tubes not exceeding 0.2% by weight.
4. Lead as an alloying element in aluminium containing up to 0.4% lead by weight.
5. Copper alloy containing up to 4% lead by weight.
6. Lead in high melting temperature type solders (i.e. lead-based alloys containing 85% by weight or more lead).
7. Electrical and electronic components containing lead in a glass or ceramic other than dielectric ceramic in capacitors, e.g. piezoelectronic devices, or in a glass or ceramic matrix compound.

## Copyright Information

Copyright © Topaz Systems, Inc. 2015. All rights reserved.

Disclaimer: Topaz Systems, Inc. shall not be liable for technical or editorial errors or omissions contained herein; nor for incidental or consequential damages resulting from furnishing this material, or the performance or use of this product.

In the interest of continuing product improvement, Topaz Systems, Inc. reserves the right to change product specifications without notice. Information in this document may change without notice.

No part of this document may be copied, reproduced, or transmitted by any means, for any purpose without prior written permission from Topaz Systems, Inc.

## Introduction

### Packing List

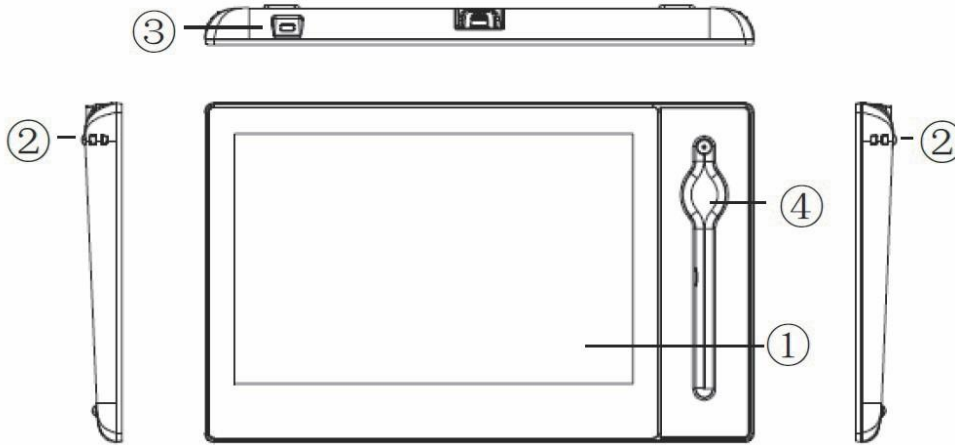
After unpacking, please confirm whether the following contents are included:

- Tablet display
- USB 2.0 cable
- Electromagnetic pen
- Pen tether
- 3 pen tips
- Pen tip replacement tool
- Installation instructions

For any part flaws or defects, please consult the original product dealer.

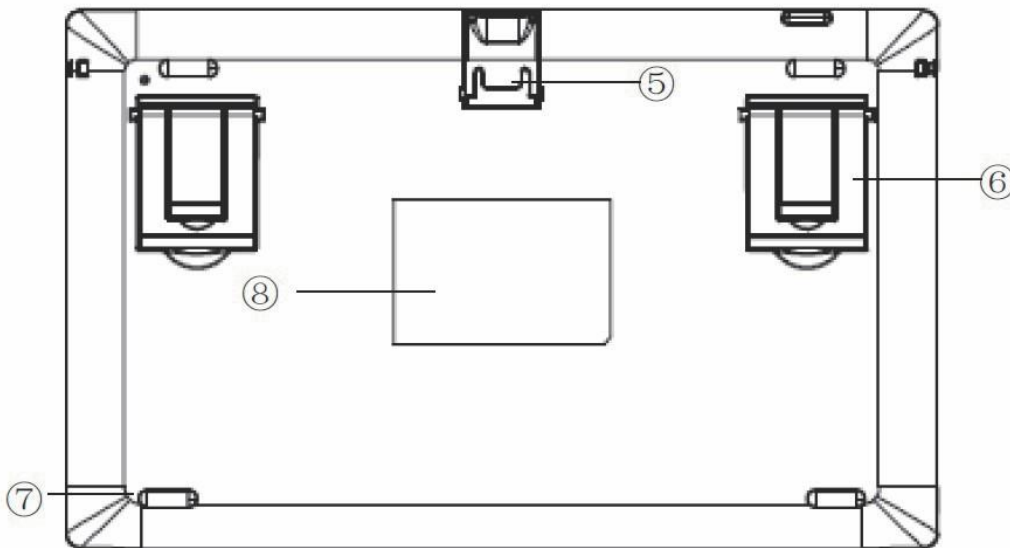
## Product Overview

### Front and Side View



1. Display and electromagnetic pen touch area
2. Tether hole
3. Kensington lock hole
4. Pen holder slot

**Rear View**



- 5. USB connector
- 6. Large and small supports (x2), can be extended or retracted
- 7. Rubber foot pad (x4)
- 8. Product label

**Note:** Please don't open the enclosure; contact service personnel for any problem.

**Interactive Electromagnetic Pen**

The interactive electromagnetic pen is made with electromagnetic resonance technology and does not require batteries.

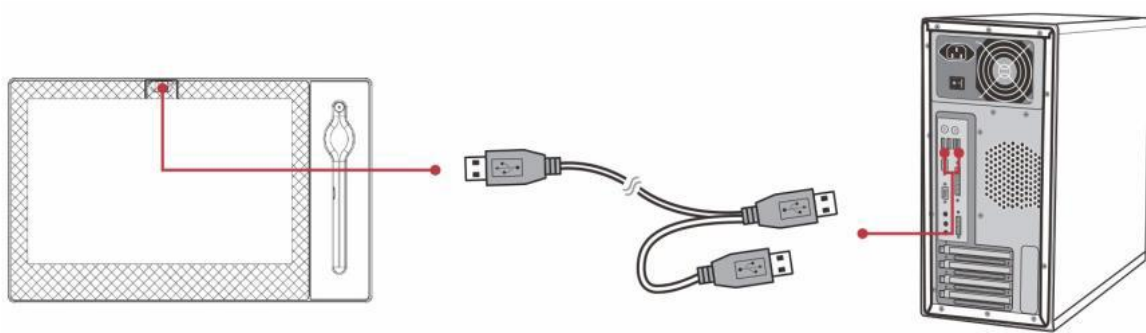


## Installation

### Connect Tablet Display to PC

To begin, follow the steps listed below to connect your GemView Tablet Display:

1. Connect the tablet display to the PC using the USB cable, as shown below.



#### Notes:

- Connect both USB connectors at one end of the cable to the PC, to ensure a stable power supply. Due to the manner that Windows enumerates USB devices and the use of internal USB hubs in some PCs, it may be necessary to change the ports into which the USB connectors are inserted.
- To open the USB cover on the back of the tablet display, press on the tab (highlighted in red) with your forefinger, then lift the cover with your thumb.



## Connect Pen to Tablet Display

If your pen is not already connected to the tablet display, follow these instructions:

1. Loop one end of the pen tether through the eye at the end of the pen.
2. Loop the other end of the pen tether through the tether hole on either side of the device.
3. Note that the pen can lie flat in the pen holder slot, or it can stand vertically in the hole at the top of the pen holder slot.

## Install DisplayLink Driver

**Note: If you are installing the driver for a Citrix VDA machine, you should not perform this step; continue to the section “Install GemView Tablet Display Driver”.**

Download and run the DisplayLink installer from the Topaz website: [www.topazsystems.com/software/download/displaylink.exe](http://www.topazsystems.com/software/download/displaylink.exe). This software provides extended display functionality for the tablet display.

For silent installation, use the command -silent. For more information, view: <https://support.displaylink.com/knowledgebase/articles/544789-installation-switches-for-installing-displaylink-s>.

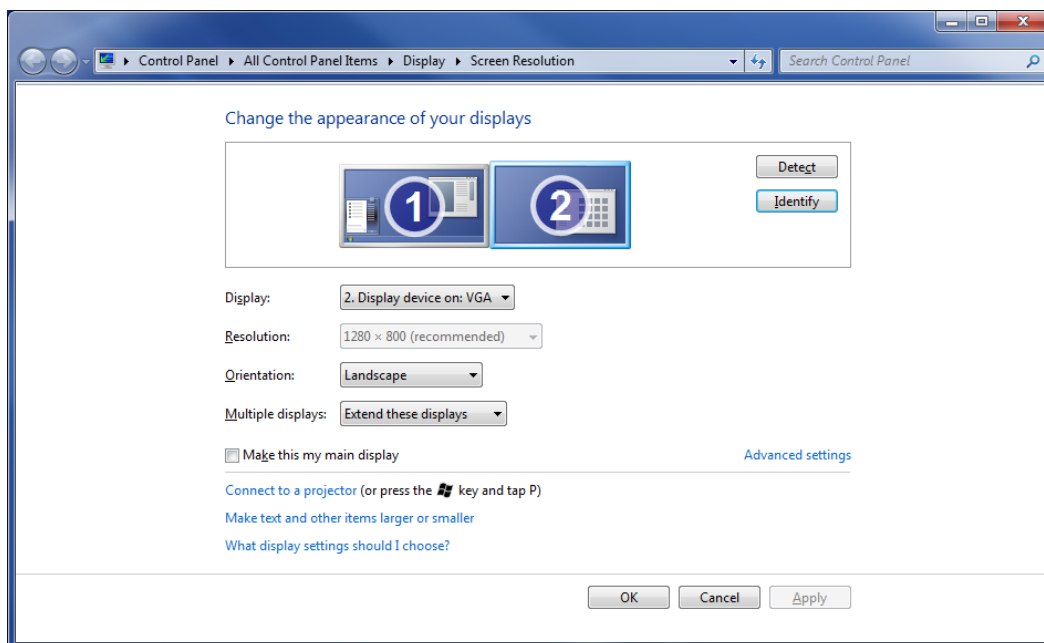
## Configure Tablet Display for Installation

Use the Display program in the control panel to configure the tablet display for your installation (see screenshot below). You may specify the following characteristics:

1. **Resolution:** Use the recommended resolution
2. **Orientation:** Landscape or portrait
3. **Multiple displays:** Extend these displays
4. **Alignment:** Make sure that the bottoms of the monitors are aligned as shown below, and that the tablet display (Display 2) is on the side of the main display you want to use when moving windows from the main display (Display 1).

After configuring the tablet display, you may test it as follows:

1. Click the identify button; the number 1 should appear on the main display and the number 2 should appear on the tablet display.
2. Move your mouse from the main display to the tablet display; it should track properly.
3. Move a window from the main display to the tablet display; it should appear normally and respond to mouse interactions.



## Install GemView Tablet Display Driver

**Note: If you are using your computer in a Citrix environment, please refer to the document [GemView Tablet Displays in Citrix XenDesktop Environments](#). If you are using your computer in VMWare Horizon environment, please refer to the document [GemView Tablet Displays in VMWare Horizon Environments](#). These guides will provide setup and configuration instructions.**

Download and run the GemView installer from the Topaz website:

[www.topazsystems.com/software/download/gemview.exe](http://www.topazsystems.com/software/download/gemview.exe). **Note:** You must reboot your PC after the installation completes. This software provides pen input functionality for the tablet display.

For silent installation, see the commands below:

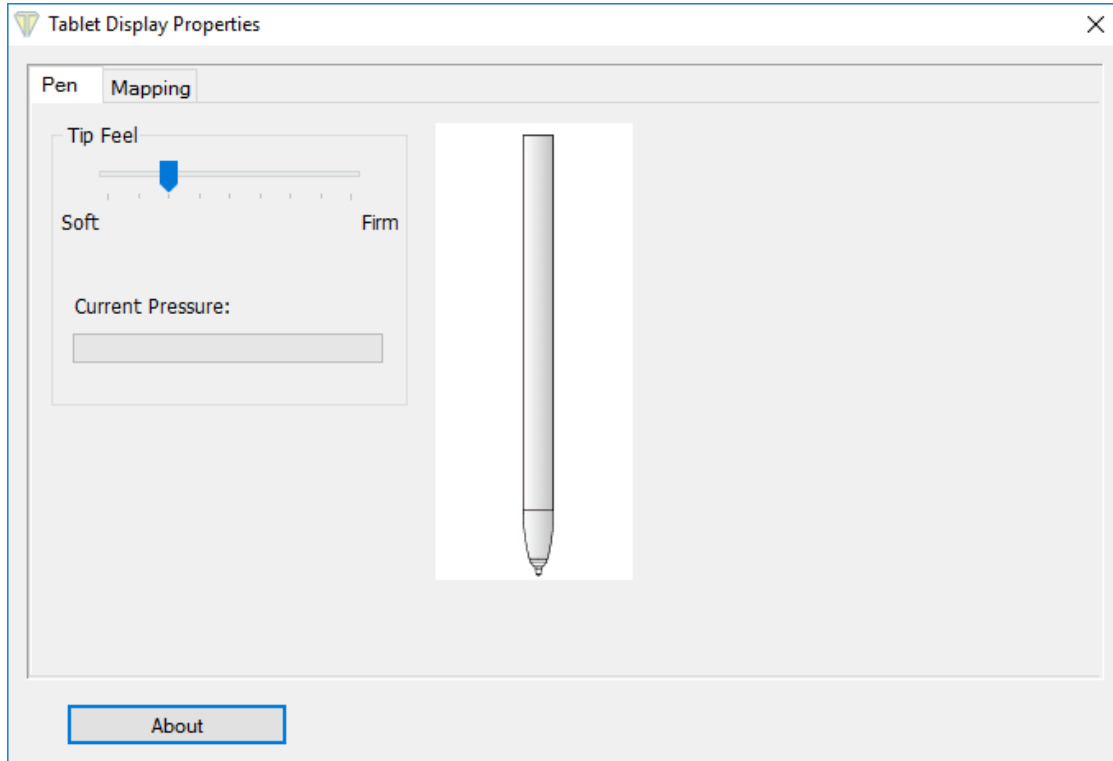
1. Silent install: Gemview.exe /s –sps
2. For silent uninstall, please run \Windows\rmttablet.exe

## Configure Tablet Display for Pen Input

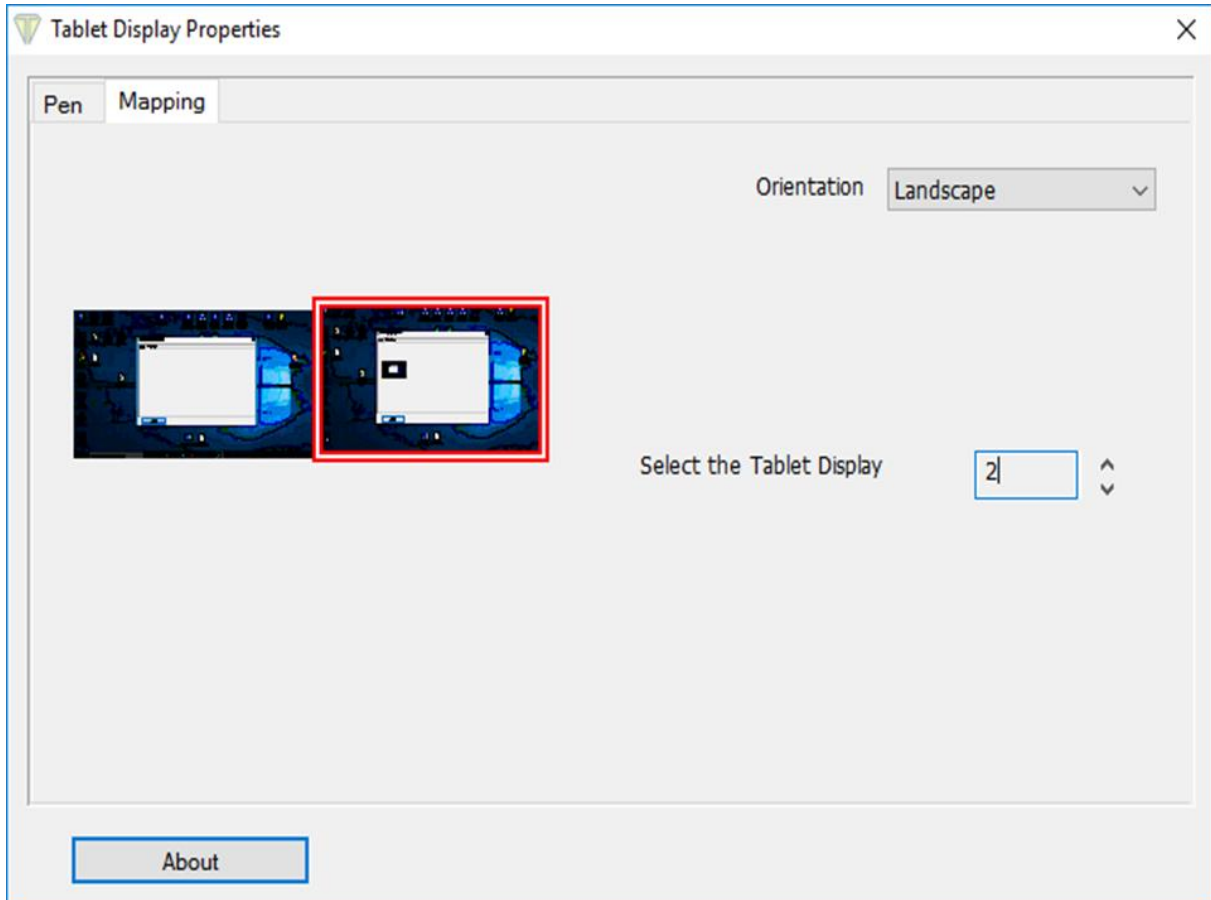
Follow the instructions below to configure your GemView Tablet Display for pen input:

1. In All Apps or All Programs, under GemView Tablet Display Manager, click on Tablet Display Manager.

- In the Tablet Display Properties window that opens, notice that the Pen tab is selected. Write on the GemView Tablet Display with the pen and the current pressure will show as a green bar. Adjust the tip feel slider between soft and firm to select the pressure desired. The default setting is recommended for standard use.



3. Click the Mapping tab to display the screen below. Select the number of the tablet display from the drop down list. The numbering of the monitors follows that in the Windows display settings. Select Landscape or Portrait for the orientation of the tablet display. It should be the same orientation selected in the Windows display screen.



4. Click the About button to see information about the versions of the software driver and the hardware.

## Install Bundled Topaz Software

Topaz Systems provides software designed specifically to take advantage of the GemView Tablet Displays' large format, pen input capabilities. For detailed information on pDoc Signer<sup>®</sup>, pDoc<sup>®</sup> Signer Duo, pDoc Pro, and other software packages and drivers, visit [www.topazsystems.com/gemview-software.html](http://www.topazsystems.com/gemview-software.html).

These software packages use the GemView Tablet Displays to provide the following functions:

1. Display full-page or half-page document images
2. Sign digital signature fields with the electronic pen
3. Fill in form fields (check radio buttons and check boxes, select items from lists, enter text into text boxes using the on-screen keyboard)
4. Place comments on pages and enter text using the on-screen keyboard
5. Draw diagrams or write text onto a document page
6. Place stamps onto a document page
7. Navigate among the pages in a document
8. Zoom document pages in and out

## Mounting Information

The GemView 10 can be mounted on counters, desks, walls, and many other surfaces through its Kensington security slot holes.

## Troubleshooting

### Screen Problems

Problems	Recommended actions
No picture	<ul style="list-style-type: none"> <li>• Check whether USB cables at computer end and screen end are connected properly.</li> <li>• Try to use another USB interface of the computer.</li> <li>• Confirm whether the computer is under sleep mode. Press the keyboard or move the mouse, and reboot the system.</li> <li>• Try to adjust the brightness.</li> <li>• Confirm whether the computer is starting up.</li> <li>• With a laptop, please confirm whether the outer-link (RGB) output is selected.</li> <li>• Check whether the driver is installed.</li> </ul>
Image noise	<ul style="list-style-type: none"> <li>• Other electrical devices may trigger electrical disturbances.</li> </ul>
Image blur	<ul style="list-style-type: none"> <li>• Using the original resolution of 1280 x 800 may provide the optimum quality.</li> </ul>

**Note:** Do not open the enclosure. For assistance, contact technical support.

### Problems of Interactive Electromagnetic Pen

Problems	Recommended actions
Electromagnetic pen does not work	<ul style="list-style-type: none"> <li>• Try to confirm by mouse. If the mouse does not work, please reboot the computer or the application.</li> <li>• Try to re-install the GemView driver.</li> </ul>
Pen tip is too short	<ul style="list-style-type: none"> <li>• Please check whether the pen tip is too short. If yes, please replace the pen tip.</li> </ul>
Abnormal cursor movement	<ul style="list-style-type: none"> <li>• Remove the disturbances caused by adjacent electrical devices.</li> <li>• Try to reboot the computer to confirm.</li> <li>• Confirm both ends of USB cable are connected to PC.</li> </ul>

**Note:** Please don't open the enclosure electric shock hazard. For assistance, [contact Topaz](#).



## Product Specification

### Screen

Display	
Model	10.1 inch TFT LCD, LED backlight
Screen Type	8H tempered glass; Anti-scratch, anti-glare, and anti-fingerprint coating
Resolution	1280 x 800
Brightness	160 cd/m <sup>2</sup> (typical) / 200 cd/m <sup>2</sup> (max.)
Angle of Visibility	Horizontal 170°, vertical 170°
Response Time	Tr+Tf: 25ms (typical) / 50ms (max.)

Connector	
USB	USB x1

Power Supply	
Input	DC5V/1A, USB power supply
Power Consumption	Start-up 5W, sleep < 1.0W

Body	
Equipment Dimension	300mm x 185mm x 22mm
Equipment Weight	Net weight: 0.85 kg, total weight: 1.3 kg

Environment	
Temperature Range	Operation: 0°C ~ +50°C Storage: -10°C ~ +60°C
Relative Humidity	Operation: 20% ~ 80% Storage: 10% ~ 90%

## Interactive Electromagnetic Pen

Model	
Technique	Electromagnetic
Action Area	Full screen

Technical Specifications	
Resolution	5080 LPI (lines per inch)
Tracking Velocity	200 PPS (dots per second)
Pressure Sensing	2048 Levels
Accuracy Rating	± 0.5mm (center), ± 2mm (edges and corners)
Readable Height	5mm

Electromagnetic Pen	
Model	Pressure sensing, wireless
Inclination of Detectable Pressure Sensitive Pen	Inclination range: ± 45°
Pen Tip	Replaceable

**Note:** The specification is subject to change without prior notice.

## Appendix

### Replace the Pen Tip

If the pen tip is too short or exists the sharp edge, it can be replaced to the back-up tip. Please replace according to the following steps:

1. Pull out the pen tip from electromagnetic pen straightly with tool.
2. Insert new pen tip into the handwriting pen and then push in the pen tip until the tip does not move.

