

# SignatureGem™ 4x5

*Pen and Tablet for countertop and desktop signature applications*



Model T-S751

## Features

### **Serial Port/USB-Powered**

*no additional power supply needed*

### **Large signing area**

*4" x 5" active area*

### **Hot-Pluggable Tablet**

*connect only when needed*

### **Simultaneous Inking Pen**

*easy-to-replace ink cartridge, no customer training required*

### **Works through pads, forms, and receipts**

*active pen records signatures without direct tablet pressure*

### **E-Sign law-compliant biometric signatures and software**

*encryption, compression, and authentication for eCommerce*



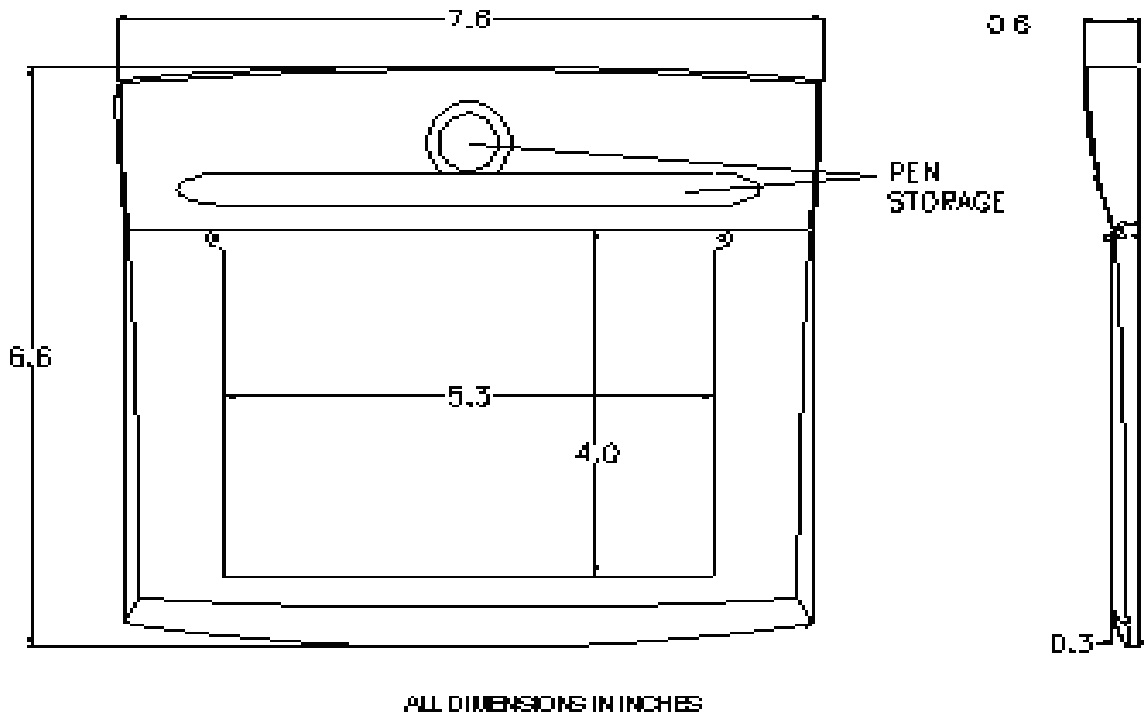
## Applications

- **Bank/Credit Union signature enrollment and ID verification**
- **HIPAA applications, medical and hospital sign-in and consent**
- **Photo ID system signature input**

## Description

The Topaz Model T-S751 is rugged, portable and complete signature input, capture, and software application system for the capture and storage of signatures for mobile and sales-force "paper-less" applications. Topaz SignatureGem tablets reduce the "cost-of-paper" by allowing legal electronic contracts over the internet or using any standard desktop or notebook computer. In addition to their high speed, accuracy, and the simultaneous inking pen, Topaz tablets are highly portable as they are powered only by the computer's serial or USB port. No extra batteries or bulky wall transformers are needed. The large tablet area and convenient design of the tablet feature space for paper forms on the tablet surface and non-skid feet for accurate signatures. The tablet can be hot-plugged into the computer and need not be connected during the "boot" process. The PenGem™ pen utilizes interchangeable plastic-tip or inking cartridges. With the inking cartridge, you can offer signed paper records to your customer while instantly storing the signature within your document file as your "paper-less" copy. Tablet MTBF is 1,000,000 and pen batteries offer a lifetime of 250,000 signatures, and along with the pen tip are easily replaceable with no dis-assembly required. SigPlus™ Active-X, Java and application software allow for signature capture, encryption, and image-file creation. All Topaz software tools, applications, and updates are available for download at no extra charge from our website, [www.topazsystems.com/software](http://www.topazsystems.com/software).

## Mechanical Outline



## Ordering Information

### SignatureGem 4x5 Tablet

#### **Model T-751-B**

*4"x5" Signature capture tablet with RS-232 DB9 Serial -port power and data interface*

#### **Model T-751-USB**

*4"x5" Signature capture tablet with USB-port power and data interface*

### Additional Pens

#### **Model P-T112-B**

*Wireless PenGem V11.0 replacement pen stores in and tethers to T-S261; includes ink cartridge*

For more information or to place an order, contact the Topaz Systems sales dept. at (805) 520 8282

Topaz tablets and pens are designed and manufactured to the highest standards of quality and for ease of use. Every SignatureGem tablet and pen comes with the Topaz standard 3-year warranty and commitment to your complete satisfaction. Highly-rugged construction and responsive field support keep you up-and-running. Extended warranty is available.

**Topaz Systems, Inc.**  
650 Cochran Street Suite 6 Simi Valley, CA 93065  
phone: 805 520 8282 fax: 805 520 0867

[www.topazsystems.com](http://www.topazsystems.com)